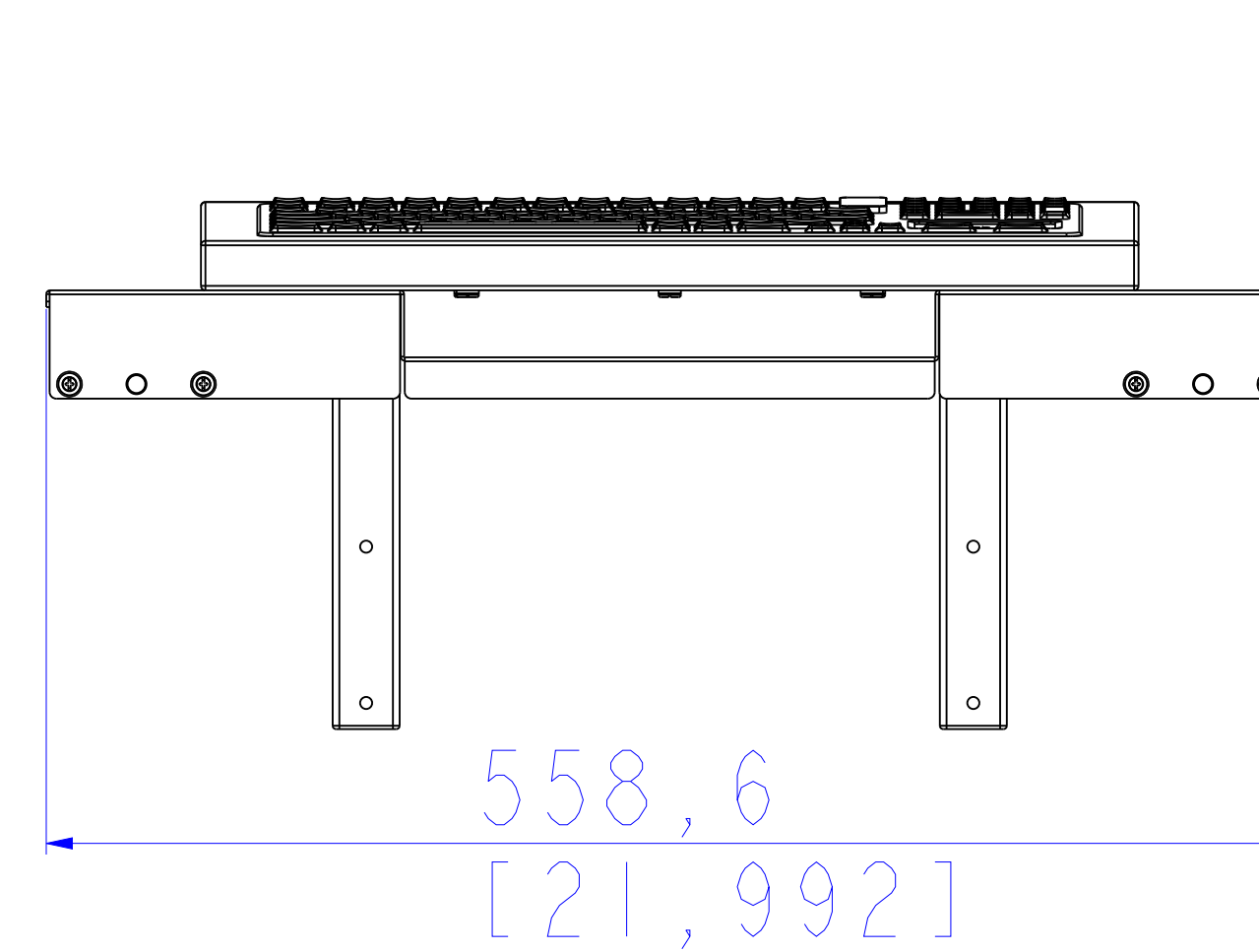
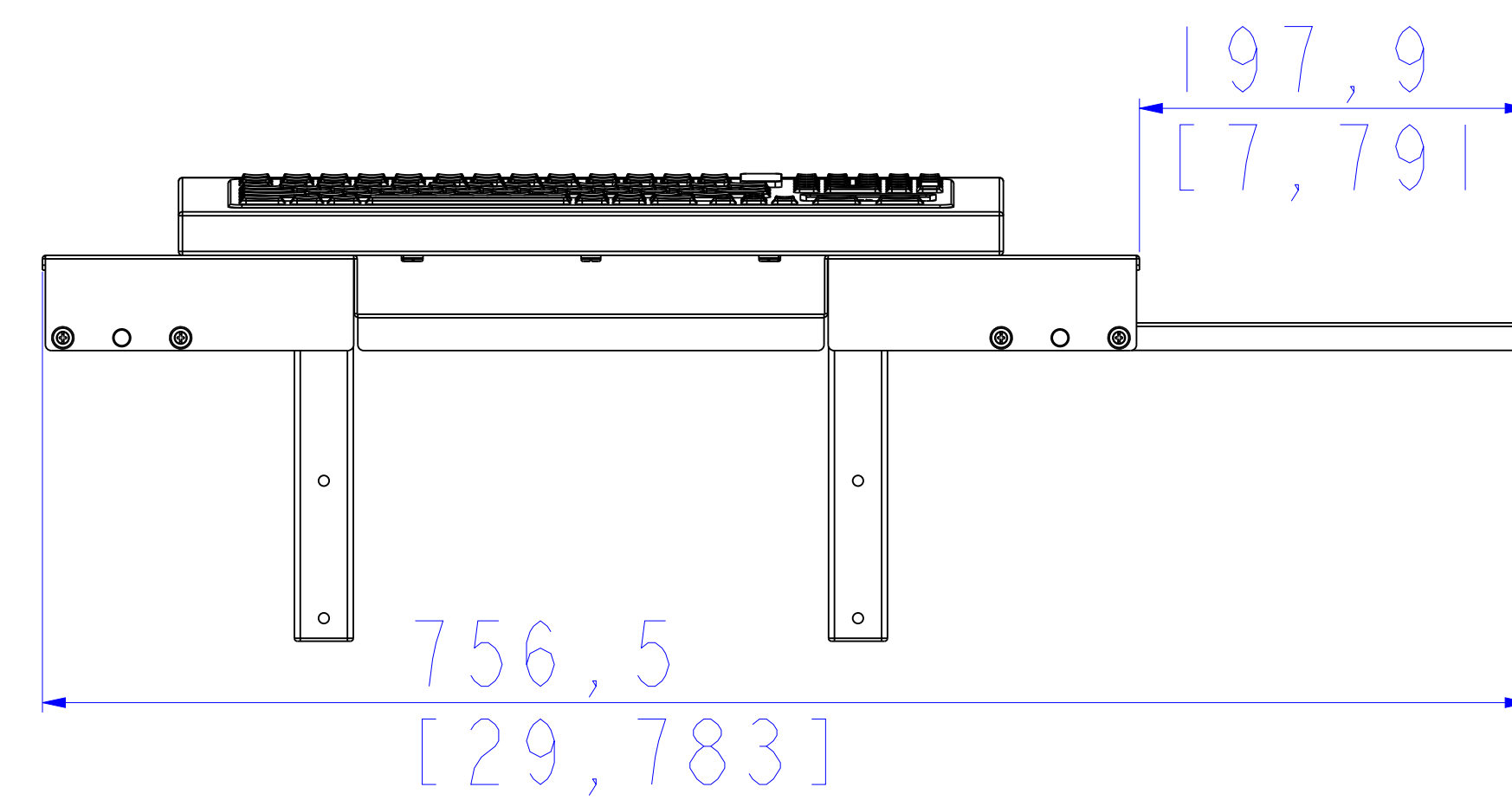
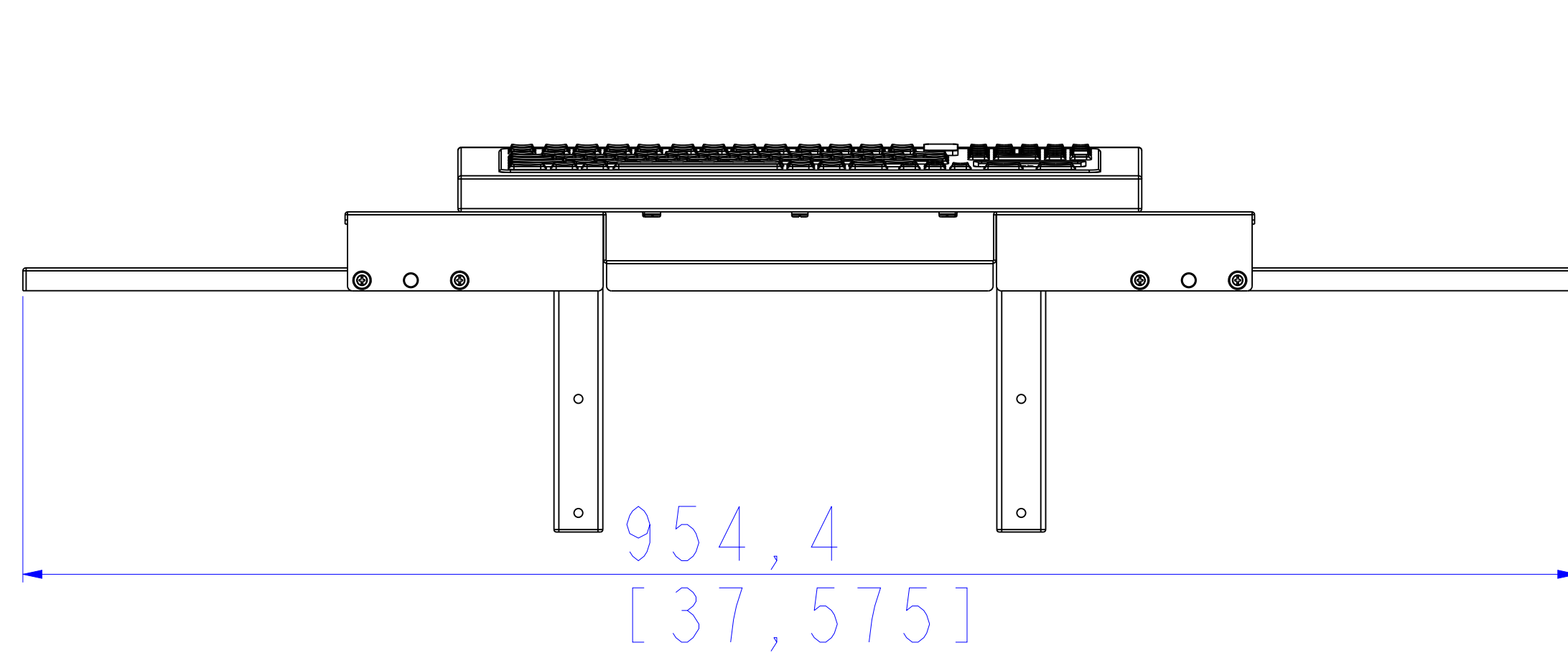
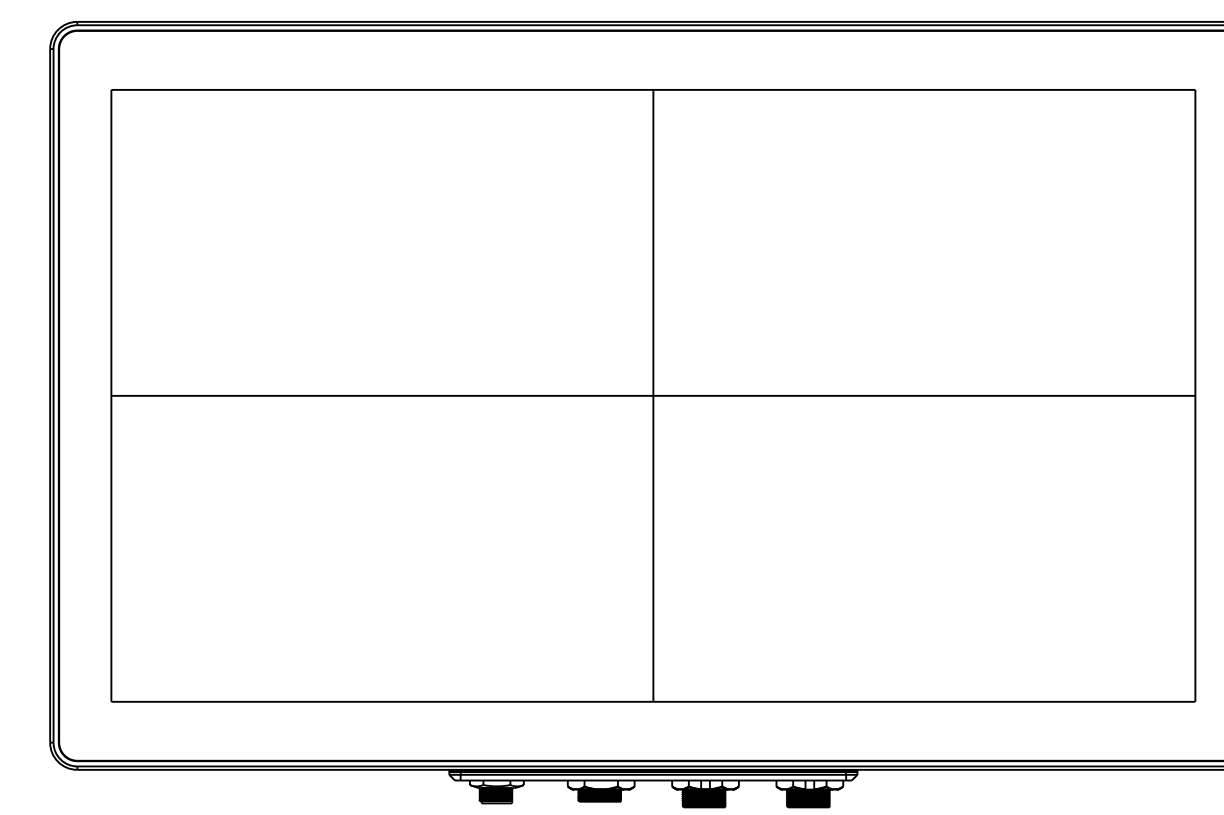
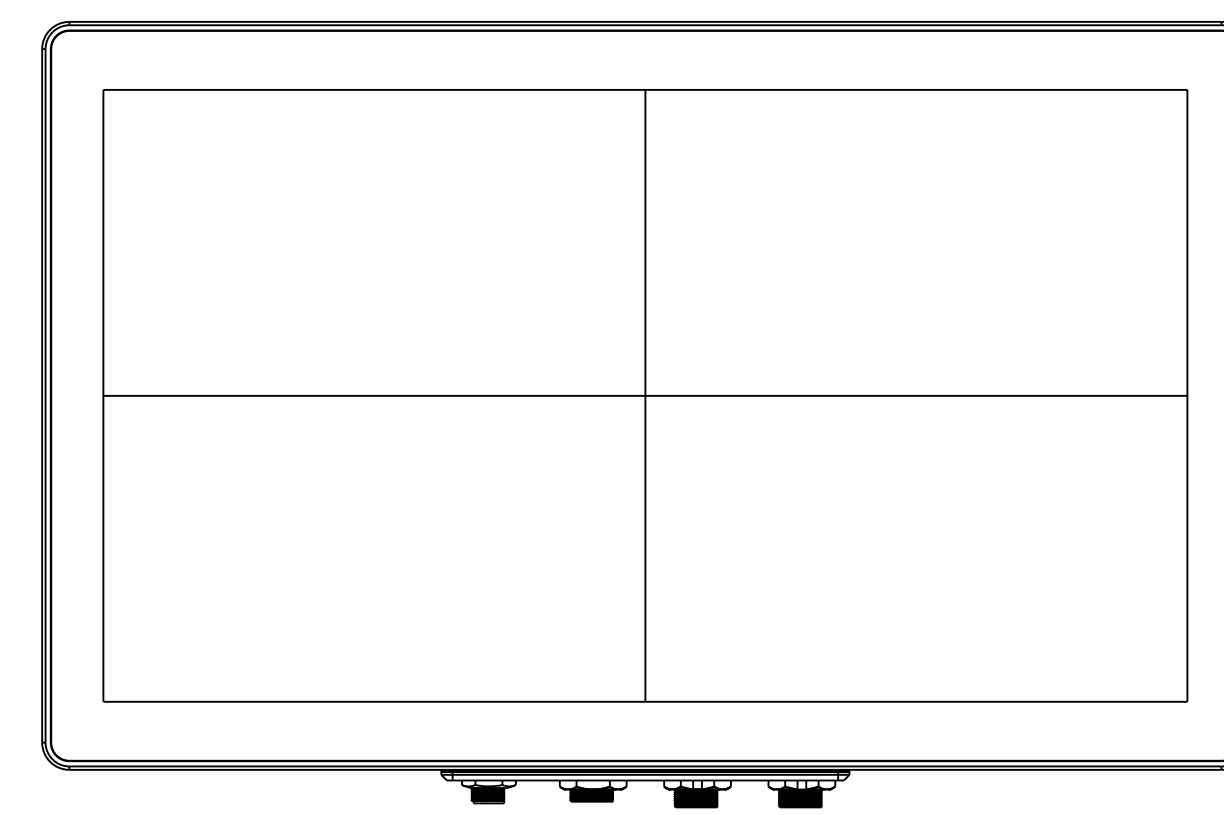
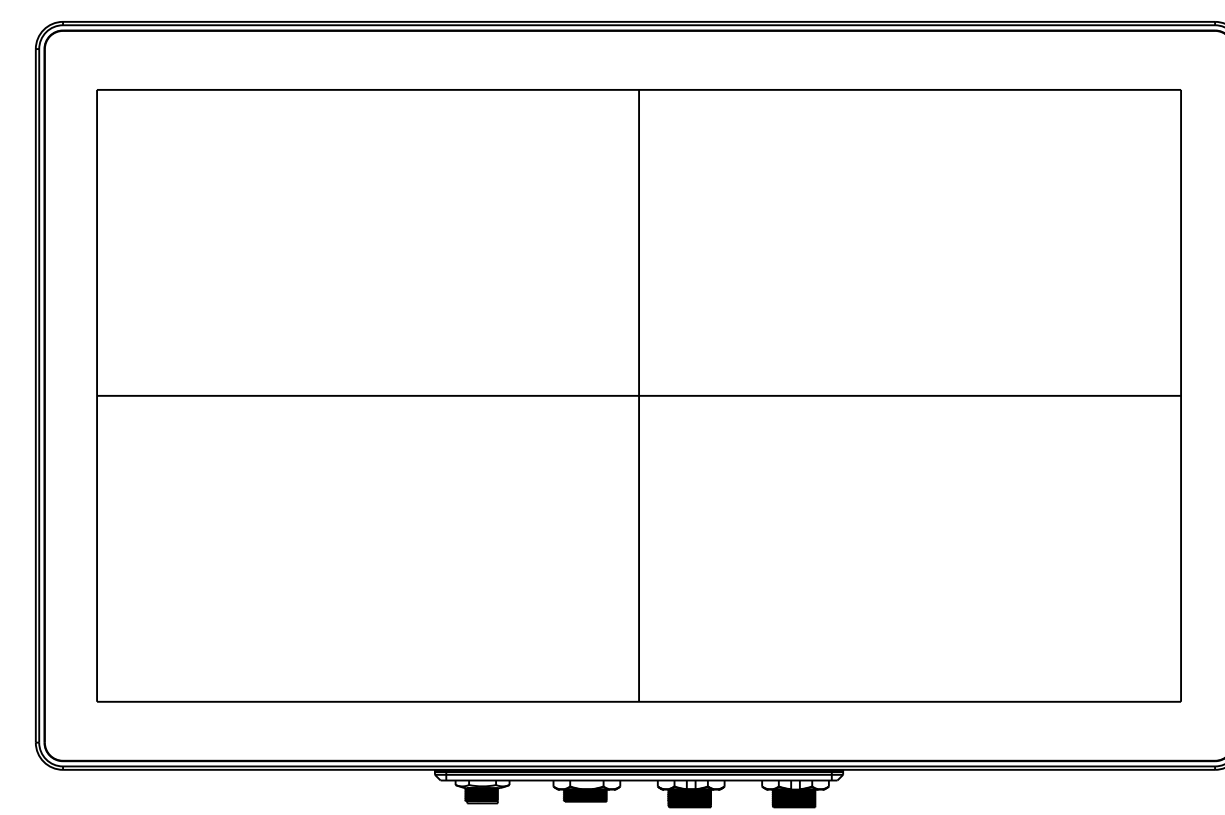
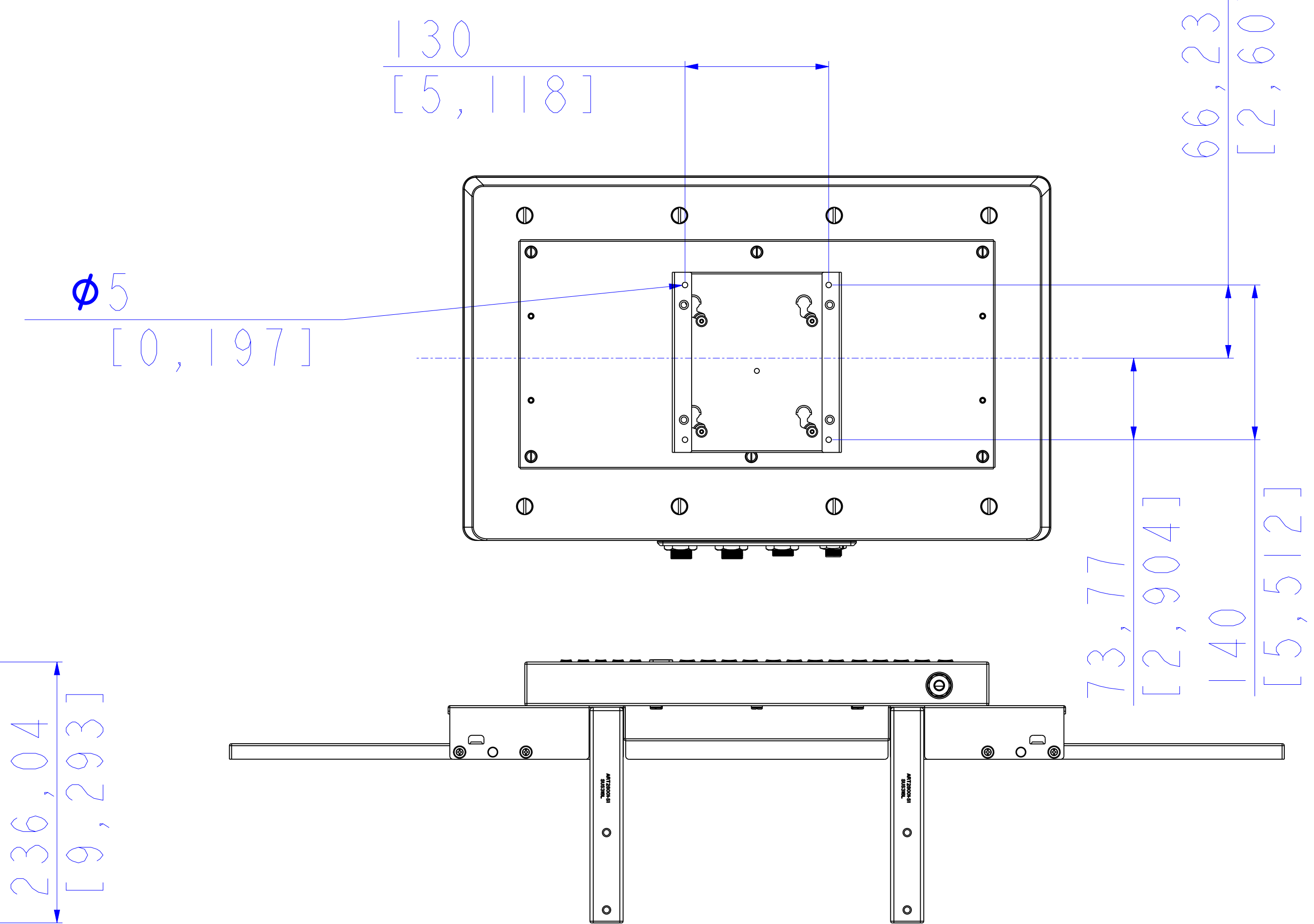
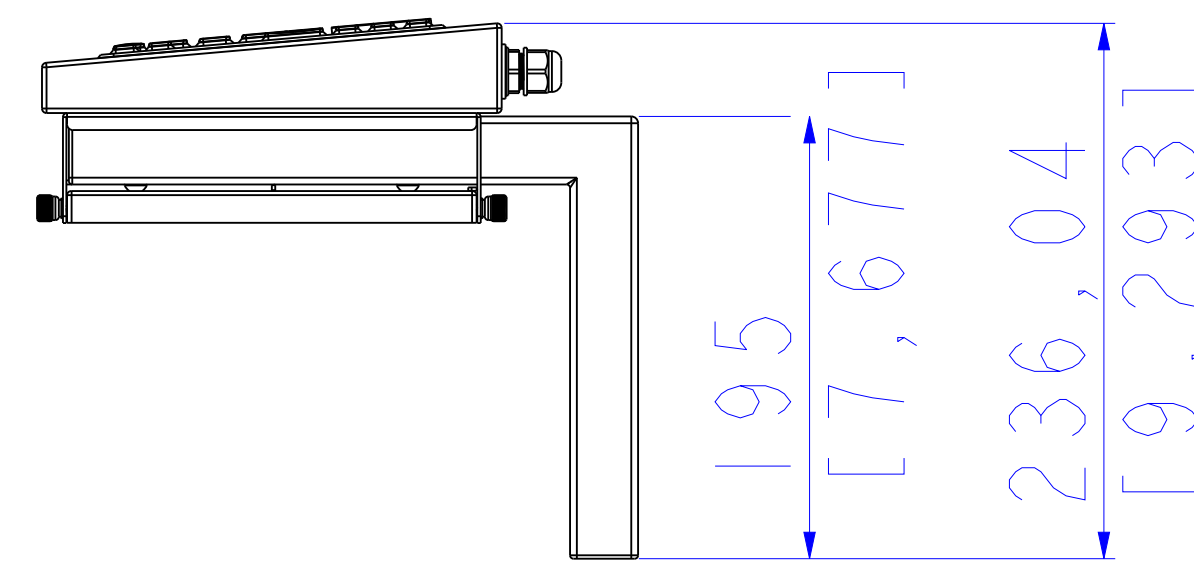
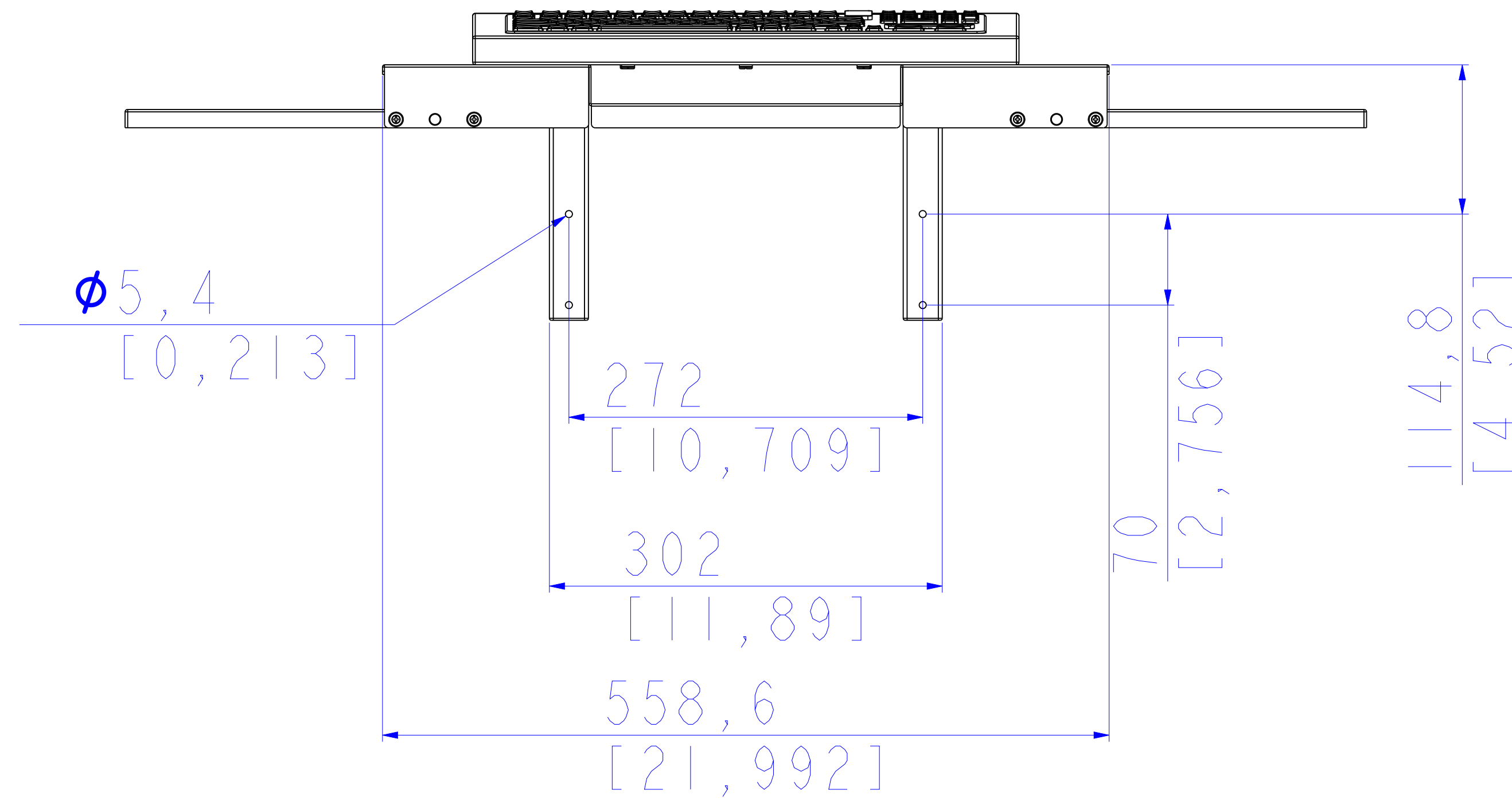
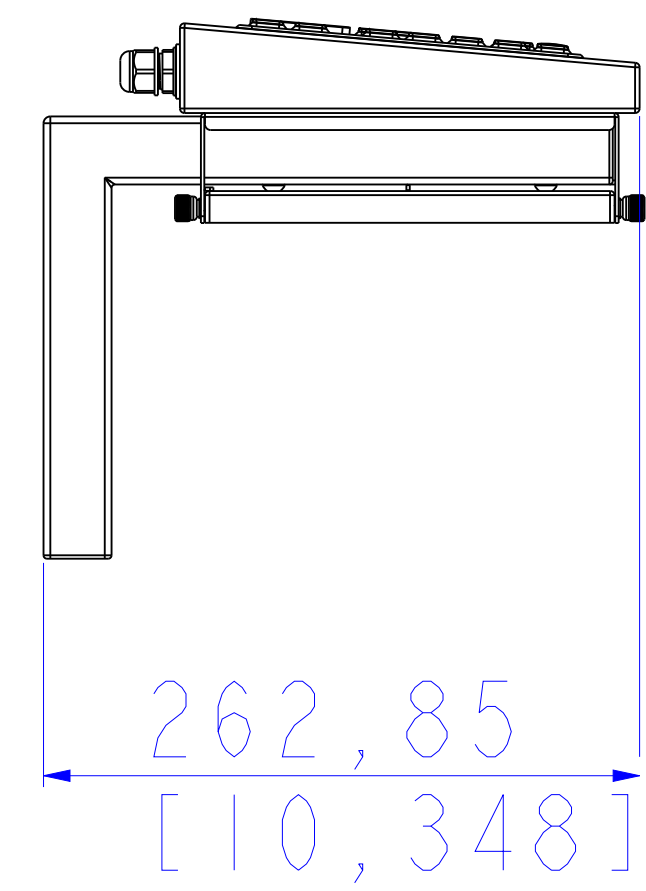
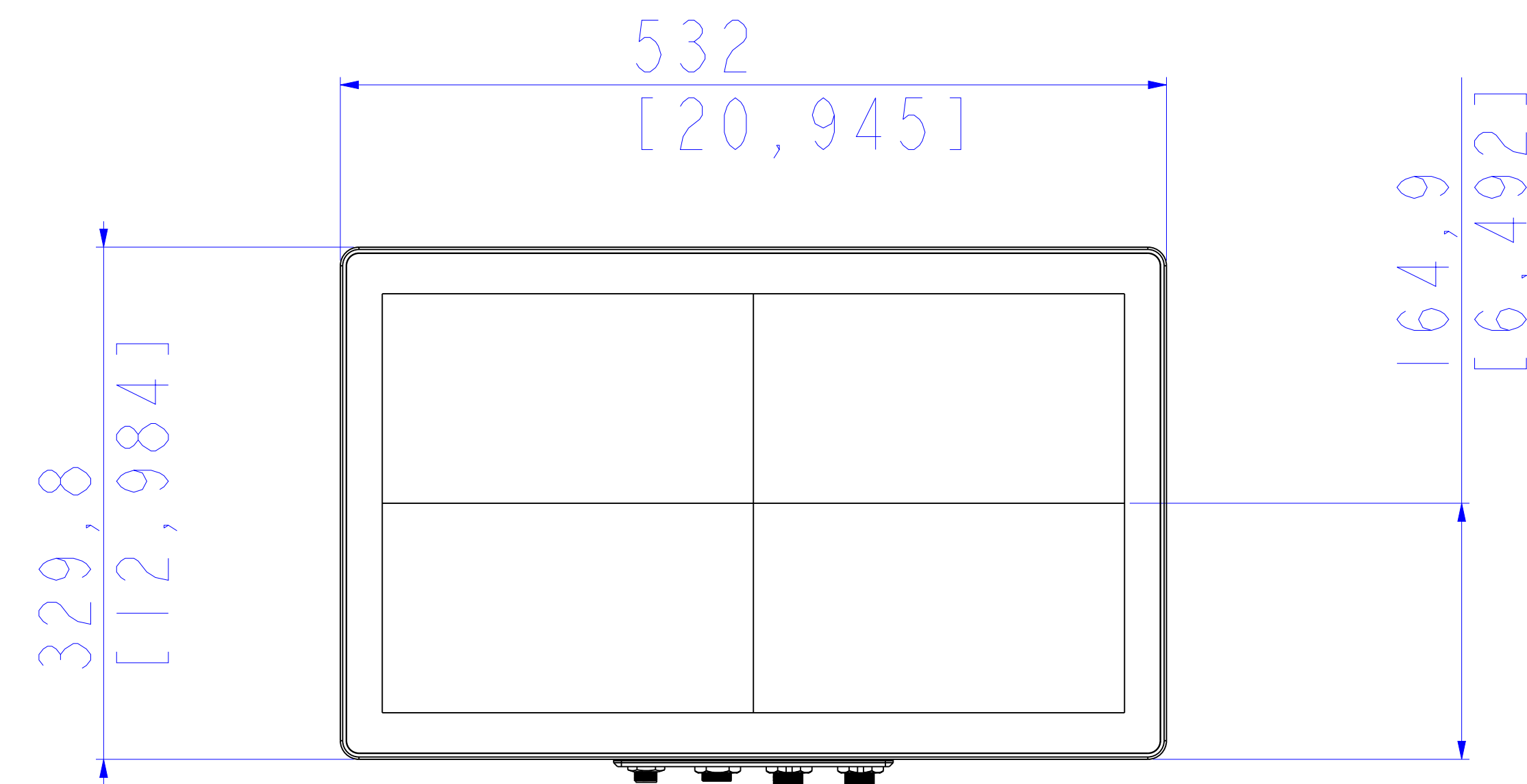
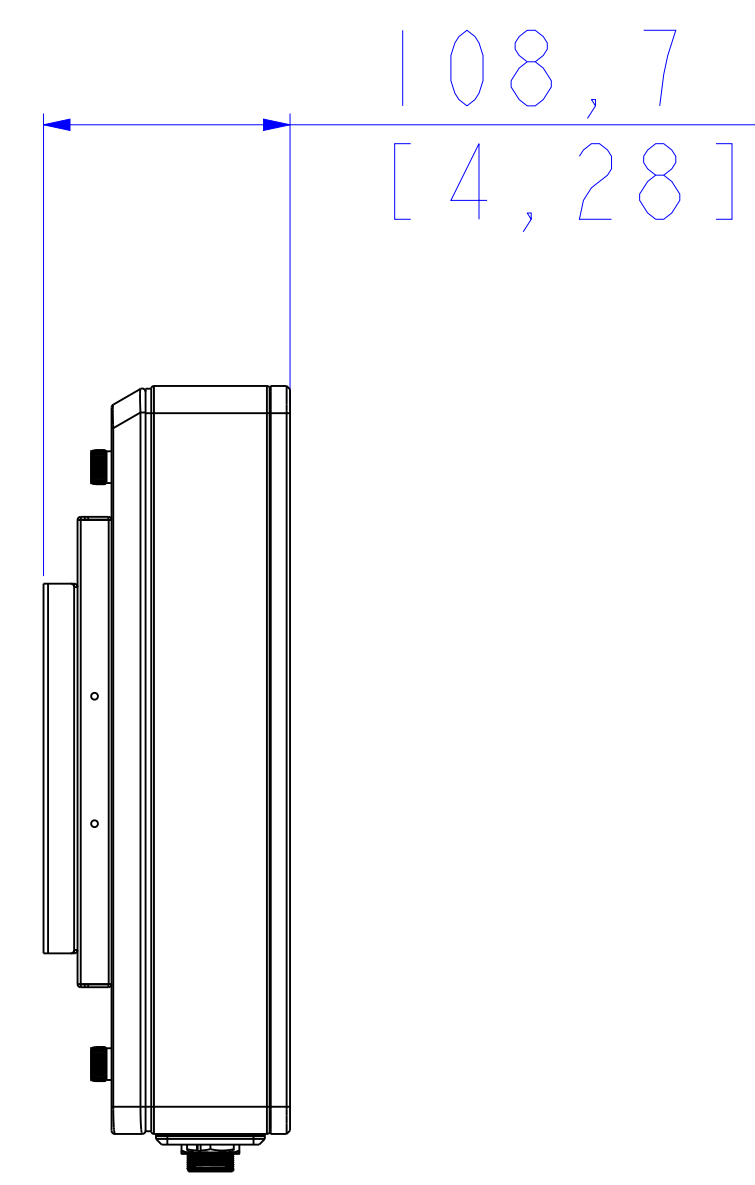
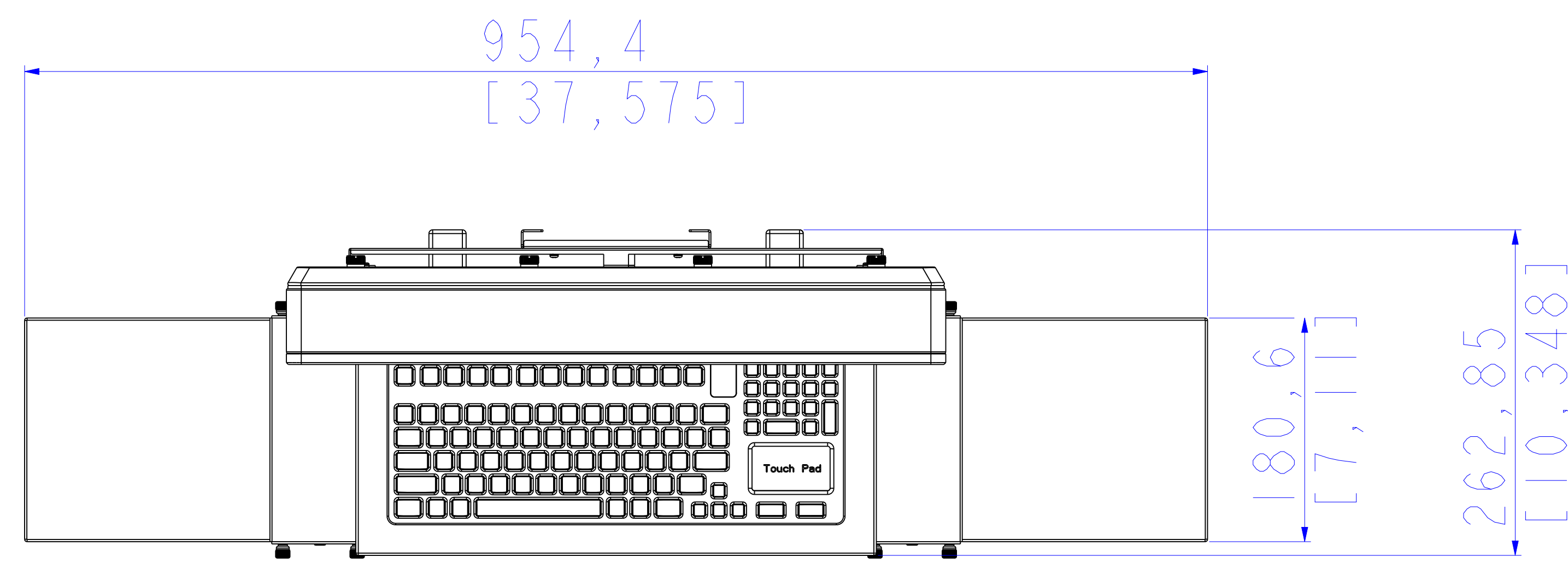


ITEM NO:

PART LIST		
ITEM	QTY	DESCRIPTION



ALL DIMENSIONS IN MILLIMETRES
THIRD ANGLE PROJECTION

ZONE	REV	DESCRIPTION	DATE	APPROVED

TOLERANCES			REVISIONS		
0-30mm	±0.1	±0.25	±0.6		
30-120mm	±0.15	±0.46	±1.1		
120-315mm	±0.2	±0.6	±1.6		
>315mm	±0.3	±1.1	±2.5		
DATE					
DN	Justin	2021/12/21			
CHECKED					
DESIGN	Justin				

The information disclosed on this document is the exclusive property of ARISTA CORPORATION. Reproduction, disclosure, or the use of this document or information without the written permission of ARISTA CORPORATION is prohibited.

ARISTA ARISTA CORPORATION
41300 Boyce Rd., Fremont, CA 94538

TITLE
AMA-3821AX-WALL MOUNT-1

SIZE	FSCM NO.	DWG NO.	REV
A0			
SCALE	INV. NO.	SHEET	OF